

# REMOTE CONTROLLED DOG TRAINING COLLARS

OWNER'S MANUAL



## **Dogtra Company**

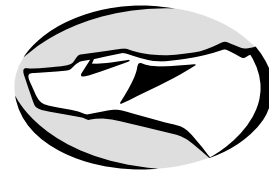
1250 E. 223rd Street, Suite 119  
Carson, CA 90745

Tel : (310) 522 - 1800

Fax : (310) 522 - 1805

Web Site : [www.dogtra.com](http://www.dogtra.com)

Toll Free: 1-888-811-9111



## ***dogtra* 1800NC SERIES**



## CONTENTS

---

• OVERVIEW .....	4
• MAIN FEATURES .....	6
• SAFETY .....	7
• <b>dogtra</b> COLLAR PACKAGE CONTENTS .....	8
• DESCRIPTION OF TRANSMITTER PARTS .....	9
• BUTTON FUNCTION .....	14
• DESCRIPTION OF COLLAR PARTS .....	31
• BATTERY CHARGER .....	36
• CHARGING THE BATTERIES .....	40
• TESTING YOUR <b>dogtra 1800NC SERIES</b> COLLARS .....	43
• OPERATING INSTRUCTIONS .....	45
• ACCESSORIES .....	48
• WARRANTY AND REPAIR INFORMATION .....	49

## OVERVIEW

**dogtra** training collars give you the ability to communicate with your dog in a timely manner even when the dog is far away from you. This makes it much easier for the dog to learn its lessons because late corrections are very confusing to the dog.

**dogtra** remote collars offer two different kinds of stimulation:

Pressing the “Nick” button causes a very short single pulse of electrical stimulation. It automatically shuts off in a fraction of a second, no matter how long the button is held down.

The “Nick” is used as a substitute for leash corrections when the dog is off lead. It is mild but motivating!

Pressing the “Constant” button causes the collar to emit electrical stimulation that stays on for up to twelve seconds as long as the button is held down. “Constant” stimulation is used as a reserve high to stop unsafe behaviors such as chasing animals or cars.

All **dogtra** collars come complete with a handheld transmitter, dog collar with receiver, battery charger, test light, operating instructions manual and carrying case.

## MAIN FEATURES

- Easy-to-use transmitter.
- All intensity level adjustments are made from a digital dial on the transmitter. The dial works like a rheostat, gradually increasing the intensity with no jumps between intensity levels.
- Reliable stimulation effective for all types of dogs no matter how heavy the coat.
- The ***dogtra 1800NC SERIES*** has a one-mile range.
- Waterproof collar receiver and transmitter.
- No external antenna on the collar receiver.
- User replaceable and rechargeable Ni-MH batteries.
- Over 3000 different identity codes to prevent conflicts with other collars.

## SAFETY

***dogtra*** collars use state-of-the-art micro-computer technology. Both the transmitter and receiver have an automatic control which limits the stimulus to twelve seconds when used in the “Constant” mode and a fraction of a second when used in the “Nick” mode. A filtering system prevents reception from sources other than your transmitter.

## PACKAGE INCLUDES

---

### ***dogtra*** COLLAR PACKAGE CONTENTS

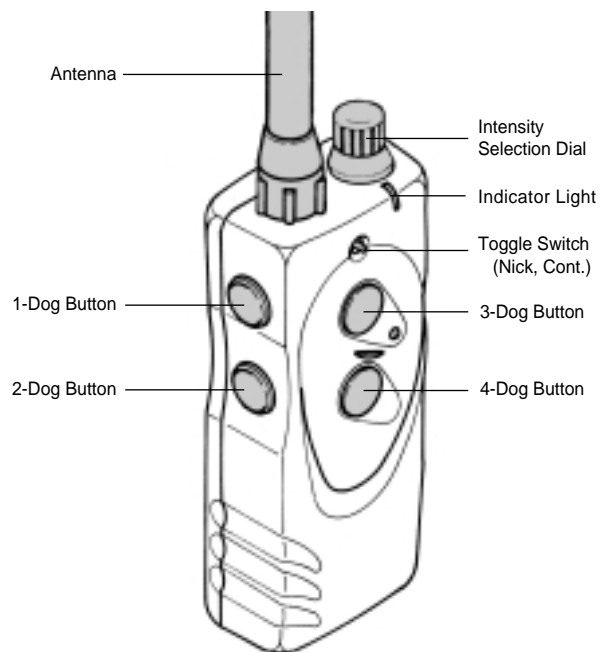
- Transmitter
- Receiver
- Battery charger and splitter cable
- Test light
- Owner' s manual
- Carrying case

## TRANSMITTER

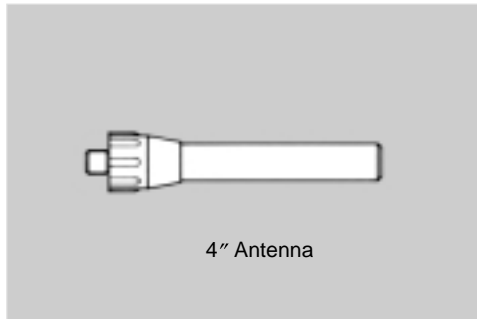
---

### DESCRIPTION OF TRANSMITTER PARTS

***dogtra*** 1804NC transmitter



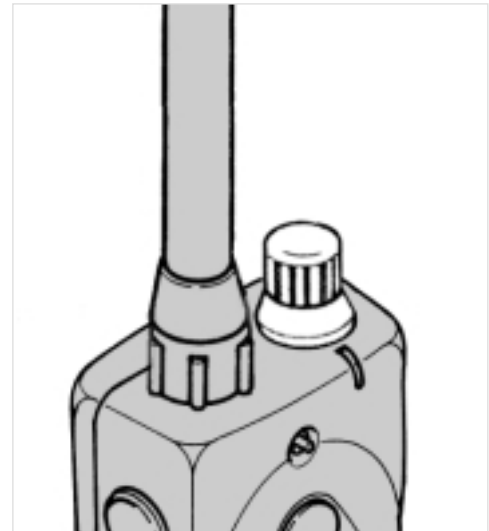
*\* indicates optional switch for 4 dog models*



### Transmitter Antenna

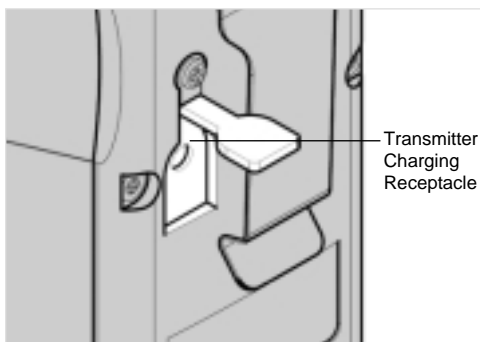
A heavy-duty 4" antenna is supplied for use on the **dogtra 1800NC SERIES** transmitters.

The antenna should be screwed into the top of the transmitter to ensure that the signals are sent properly to the collar receiver and that maximum range is attained.



### Intensity Selection Dial

The intensity selection dial is located on the top of the transmitter. Number one is the lowest level and number eight is the highest level.

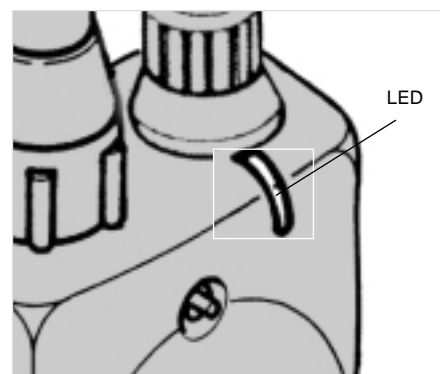


### **Transmitter Battery Charging Receptacle**

Located on the backside of the transmitter, the receptacle is covered by a rubber plug. Insert one end of the battery charging cable into the receptacle to charge the battery.

(See Battery Charging Procedure.)

After charging is completed, close the receptacle with its rubber plug to prevent dirt from getting inside.



### **Transmitter Indicator Light (LED)**

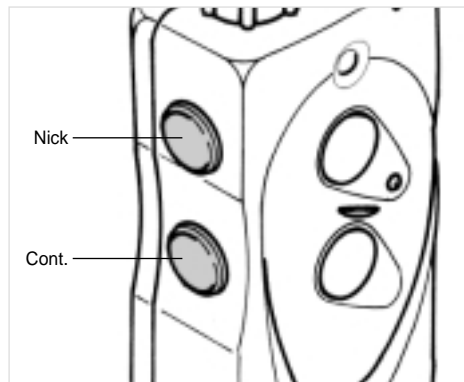
The transmitter indicator light is located by the intensity selection dial.

When a button on the transmitter is pushed, the red light comes on to indicate that the transmitter is being activated.

If the indicator light emits a double blink while the button is pressed, the battery needs to be recharged.

## BUTTON FUNCTION

### ***dogtra* 1800NC ONE-DOG MODELS**



The transmitter for ***dogtra* 1800NC** has two buttons.

The top button gives “Nick” stimulation when pressed. The bottom button gives “Constant” stimulation for as long as you press the button for up to twelve seconds.

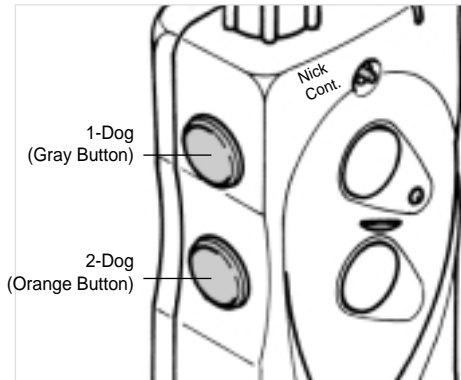
### **“Nick” Button**

When the “Nick” button is pushed, the receiver emits an extremely short pulse of electrical stimulation that automatically shuts off no matter how long you leave your finger on the button. The “Nick” is mild but motivating!

### **“Constant” Button**

Pressing the “Constant” button gives stimulation for up to twelve seconds, at which time, the collar will turn off. The collar will reactivate when you push the button again.

## ***dogtra* 1802 NC TWO-DOG MODELS**



**The transmitter for *dogtra* 1802 NC has two buttons**

The 1-dog(Gray) button operates the stimulations to the black collar when pressed.

The 2-dog(Orange) button operates the stimulations to the orange collar when pressed.

## **Selection Switch on the *dogtra* 1802 NC**

The two-dog models have a toggle switch on the face of the transmitter.

The toggle switch allows for selection of either Nick or Constant.

Set the toggle switch on the Nick position to select Nick stimulation and Constant to select the Constant stimulation.

## 1-Dog Button

### On the nick position

When the “1-dog(gray)” button is pushed, the 1-dog(gray) receiver emits an extremely short pulse of electrical stimulation that automatically shuts off no matter how long you leave your finger on the button.

The “Nick” is mild but motivating!

### On the constant position

Pressing the “1-dog(gray)” button gives stimulation for up to twelve seconds, at which time, the 1-dog(gray) collar will turn off.

The collar will reactivate when you push the button again.

## 2-Dog Button

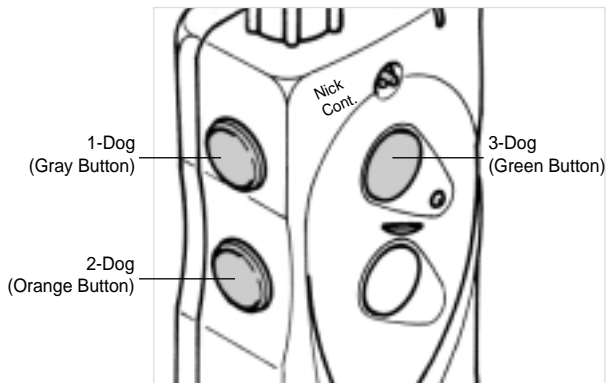
### On the nick position

When the “2-dog(orange)” button is pushed, the 2-dog(orange) receiver emits an extremely short pulse of electrical stimulation to the orange collar.

### On the constant position

Pressing the “2-dog(orange)” button gives stimulation for up to twelve seconds, at which time, the 2-dog(orange) collar will turn off.

## ***dogtra* 1803NC THREE-DOG MODELS**



**The transmitter for *dogtra* 1803NC has three buttons**

The 1-dog(Gray) button operates the stimulations to the Gray collar when pressed.

The 2-dog(Orange) button operates the stimulations to the orange collar when pressed.

The 3-dog(Green) button operates the stimulations to the green collar when pressed.

## **Selection Switch on the *dogtra* 1803NC**

The three-dog models have a toggle switch on the face of the transmitter.

The toggle switch allows for selection of either Nick or Constant.

Set the toggle switch on the Nick position to select Nick stimulation and Constant to select the Constant stimulation.

## 1-Dog Button

### On the nick position

When the “1-dog(gray)” button is pushed, the 1-dog(gray) receiver emits an extremely short pulse of electrical stimulation that automatically shuts off no matter how long you leave your finger on the button.

The “Nick” is mild but motivating!

### On the constant position

Pressing the “1-dog(gray)” button gives stimulation for up to twelve seconds, at which time, the 1-dog(gray) collar will turn off.

The collar will reactivate when you push the button again.

## 2-Dog Button

### On the nick position

When the “2-dog(orange)” button is pushed, the 2-dog(orange) receiver emits an extremely short pulse of electrical stimulation to the orange collar.

### On the constant position

Pressing the “2-dog(orange)” button gives stimulation for up to twelve seconds, at which time, the 2-dog(orange) collar will turn off.

## 3-Dog Button

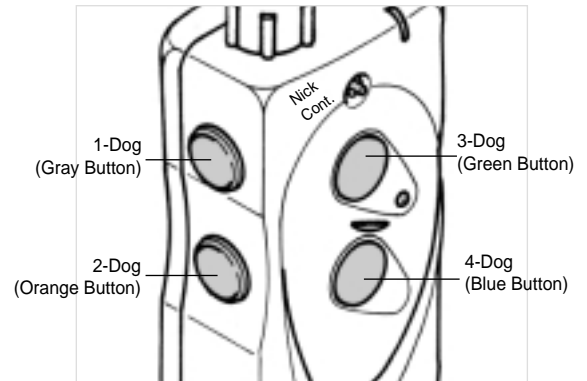
### On the nick position

When the “3-dog(green)” button is pushed, the 3-dog(green) receiver emits an extremely short pulse of electrical stimulation to the green collar.

### On the constant position

Pressing the “3-dog(green)” button gives stimulation for up to twelve seconds, at which time, the 3-dog(green) collar will turn off.

## *dogtra* 1804NC FOUR-DOG MODELS



### The transmitter for *dogtra* 1804NC has four buttons

The 1-dog(Gray) button operates the stimulations to the Gray collar when pressed.  
The 2-dog(Orange) button operates the stimulations to the orange collar when pressed.  
The 3-dog(Green) button operates the stimulations to the green collar when pressed.  
The 4-dog(Blue) button operates the stimulations to the green collar when pressed.

### Selection Switch on the *dogtra 1804NC*

The three-dog models have a toggle switch on the face of the transmitter.

The toggle switch allows for selection of either Nick or Constant.

Set the toggle switch on the Nick position to select Nick stimulation and Constant to select the Constant stimulation.

### 1-Dog Button

#### On the nick position

When the “1-dog(gray)” button is pushed, the 1-dog(gray) receiver emits an extremely short pulse of electrical stimulation that automatically shuts off no matter how long you leave your finger on the button.

The “Nick” is mild but motivating!

#### On the constant position

Pressing the “1-dog(gray)” button gives stimulation for up to twelve seconds, at which time, the 1-dog(gray) collar will turn off.

The collar will reactivate when you push the button again.

## 2-Dog Button

### On the nick position

When the "2-dog(orange)" button is pushed, the 2-dog(orange) receiver emits an extremely short pulse of electrical stimulation to the orange collar.

### On the constant position

Pressing the "2-dog(orange)" button gives stimulation for up to twelve seconds, at which time, the 2-dog(orange) collar will turn off.

## 3-Dog Button

### On the nick position

When the "3-dog(green)" button is pushed, the 3-dog(green) receiver emits an extremely short pulse of electrical stimulation to the green collar.

### On the constant position

Pressing the "3-dog(green)" button gives stimulation for up to twelve seconds, at which time, the 3-dog(green) collar will turn off.

## 4-Dog Button

### On the nick position

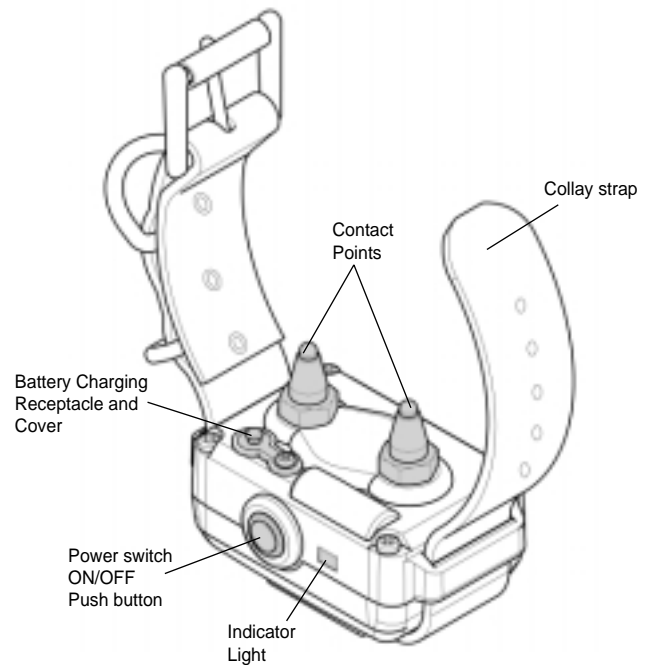
When the “4-dog(blue)” button is pushed, the 4-dog(blue) receiver emits an extremely short pulse of electrical stimulation to the green collar.

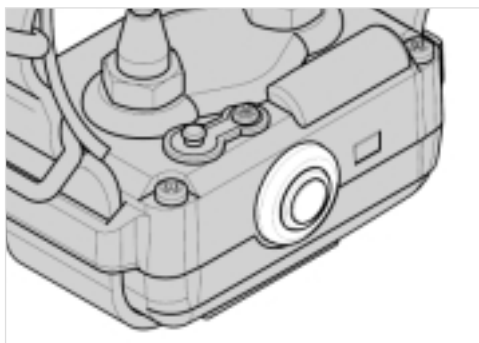
### On the constant position

Pressing the “4-dog(blue)” button gives stimulation for up to twelve seconds, at which time, the 4-dog(blue) collar will turn off.

## DESCRIPTION OF COLLAR PARTS

### *dogtra* 1800NC SERIES Collar



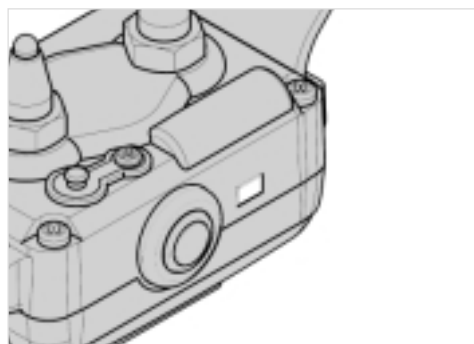


### **ON/OFF Button**

To turn the collar on, press the button on the end of the receiver for one full second until the light comes on.

To turn the collar off, hold the button down for one full second until the red light goes off.

A delay has been built into the on/off switch so that the dog cannot turn the collar off by accident.



### **Receiver Indicator Light (LED)**

Located on the front of the collar, the indicator light comes on and blinks once every 2 seconds after the collar is turned on.

The blinking will change from a single flash to a double flash when the collar needs to be recharged.

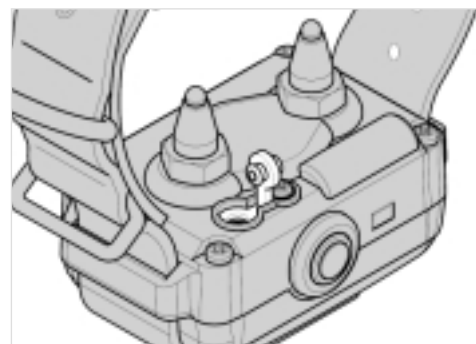
When the “Constant” button on the transmitter is pushed, the collar indicator light will glow steadily for as long as you hold the button down, for up to twelve seconds. When the “Nick” button is pushed, the light comes on for a fraction of a second.



### Contact Points

The collar should be fitted so that the stainless steel contact points press firmly against the dog's skin.

A loose fit can allow the collar to move around on the dog's neck. When this happens the contact points may rub the skin and cause irritation. If the collar is too loose, electrical contact will be inconsistent and your corrections will be inconsistent also.



### Receiver Battery Charging Receptacle

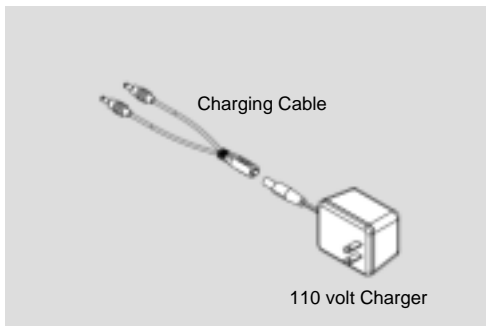
On the inside of the collar, next to the collar strap, is a battery charging receptacle with a rubber cover plug.

### Internal Antenna

The ***dogtra 1800NC SERIES*** has no external antenna on the collar. The Antenna is inside the collar receiver.

## BATTERY CHARGER

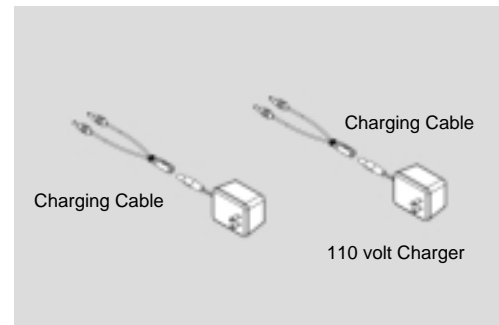
### *dogtra* 1800NC (One-Dog Unit)



The battery charger and charging cables allow you to charge both the transmitter and receiver at the same time.

The battery charger is designed for a 110 volt wall outlet. (European 220 volt AC chargers and 12-volt field charger for your automobile are also available).

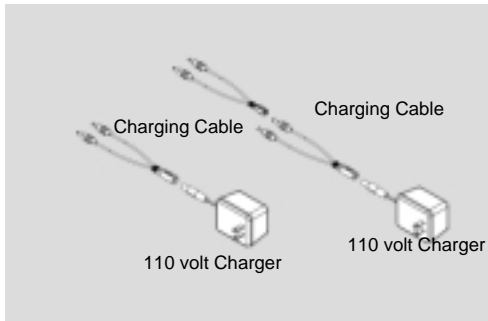
### *dogtra* 1802NC (Two-Dog Unit)



The battery charger is designed for a 110 volt wall outlet. (European 220 volt AC chargers and 12-volt field charger for your automobile are also available).

To use the battery charger for the two-dog unit, combine both sets of battery charging cables as shown. This enables you to charge the transmitter and both receivers at the same time.

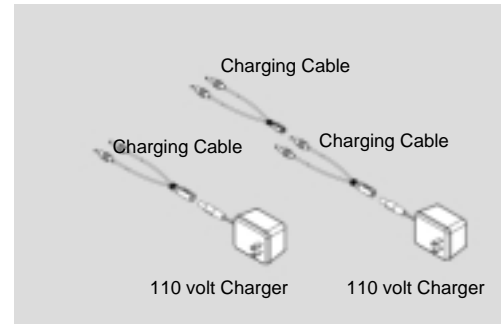
***dogtra* 1803NC** (Three-Dog Unit)



The battery charger is designed for a 110 volt wall outlet. (European 220 volt AC chargers and 12-volt field charger for your automobile are also available).

To use the battery chargers for the three-dog unit, combine both sets of battery charging cables as shown. This enables you to charge the transmitter and three receivers.

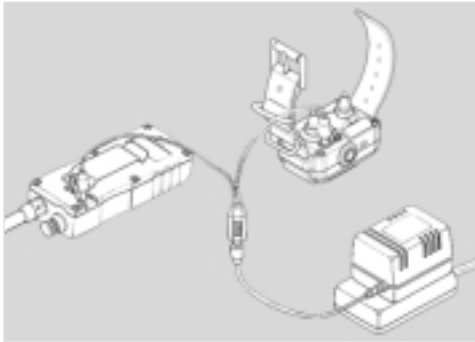
***dogtra* 1804NC** (Four-Dog Unit)



The battery charger is designed for a 110 volt wall outlet. (European 220 volt AC chargers and 12-volt field charger for your automobile are also available).

To use the battery chargers for the four-dog unit, combine both sets of battery charging cables as shown. This enables you to charge the transmitter and four receivers.

## CHARGING THE BATTERIES



**dogtra** uses Ni-MH (Nickel-Metal-Hydride) batteries that do not set a memory and can be charged on a regular basis without harm to the battery. There is no need to completely drain the batteries between charges.

1. Charge the batteries for 14 hours before using the collar for the first time.
2. Do not charge the batteries near any flammable substances.

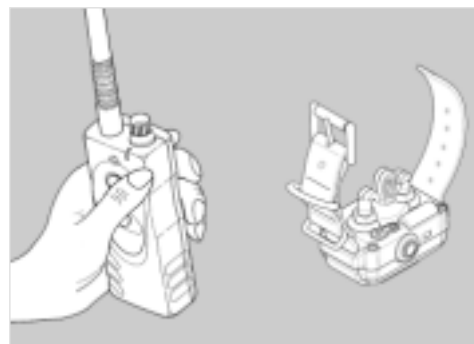
3. Fully charge the batteries for 14 hours if the collar is to be stored without use for a period of a month or more.
4. Recharge the battery if
  - the indicator light on the collar is emitting a double blink every 2 seconds,
  - the indicator light on the transmitter or receiver will not come on,
  - the indicator light on the transmitter or receiver comes on momentarily but will not stay on when the "Constant" button is pushed.

**Battery charging procedure**

1. Attach the charging cables to both the transmitter and receiver(s), as shown on page 36.
2. Plug the charger into a 110-volt wall outlet or, if using the accessory field charger, plug into a cigarette lighter.  
(Use 220-volt European charger for Europe)  
When properly plugged in, all indicator lights should glow red.

The receiver automatically turns off when you insert the charging cable into the battery charging receptacle on the receiver.

3. After charging, cover the battery charging receptacles with the rubber plugs on the transmitter and receiver.
4. Battery is fully charged with a 14-hour charge.

**TESTING YOUR  
*dogtra* 1800NC SERIES COLLARS**

1. Turn the power switch on by pressing the button on the end of the collar receiver for one second. The indicator light will come on for a moment then blink once every two seconds, showing that the collar is ready to use. (If the red indicator light emits a double blink every two seconds, the batteries need to be charged.)

2. Place the test light on the receiver contact points and hold it there.
3. Set the transmitter intensity dial to level eight and push the "Constant" button.
4. Watch the test light as you push the "Constant" button on the transmitter.  
It should glow brightly. As a safety feature the collar will automatically turn off after twelve seconds. To reactivate, release the button for one second and the collar will reset.
5. Push the "Nick" button. The test light should light for just a moment.
6. Change the intensity dial to level four and repeat the test. The test light should glow dimmer.

NOTE : It is normal for the test light not to come on if the intensity level is set below level two.

## OPERATING INSTRUCTIONS

### Fitting the collar

The collar strap should be adjusted so that the contact points are held firmly against the dog's skin. If the collar is too loose, it can cause irritation from the contacts rubbing against the skin.

If the dog has a heavy coat, move the receiver up and down to work the contact points down into the coat.

### ATTENTION!

**Avoid having the dog wear the collar with the contact points in the same place for more than two hours at a time. Leaving the points on the same spot for extended periods of time can cause skin irritation. If the dog is to wear the e-collar for long periods, occasionally reposition the collar so that the contact points are moved to a different spot on the dog's neck.**

### Intensity selection

To select the intensity level, start on number one. Gradually increase the level until you get a response from the dog that would be equivalent to a quick pull or jerk with a leash.

Remember that you will need to adjust the setting as the dog's attitude changes, especially during times of increased excitement or distraction.

### Maintenance

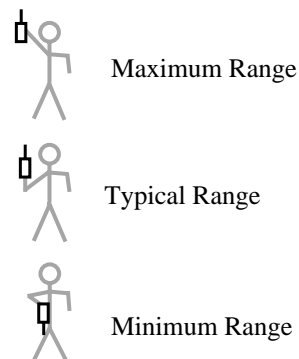
Always clean and rinse the collar thoroughly with tap water after use in salt water.

The receiver and collar strap should be periodically cleaned with alcohol or detergent and water to prevent malfunction. Remove the contact points and clean the area beneath the strap.

### Reception

The *dogtra 1800NC SERIES* collar has a range of one mile. Depending on the way you use your transmitter, the transmitting range may vary.

Hold the transmitter away from your body and avoid touching the antenna to get the greatest range.



If your finger touches the antenna near the dial on the top of the transmitter, the actual range may be reduced.

## ACCESSORIES

The following items may be purchased separately

### **Dummy Collar**

A dummy collar is recommended for use with very sensitive dogs to get them used to the size and weight of the collar.

### **European Charger**

Designed for use with 220V AC electrical outlets in Europe.

### **Field Charger**

Designed for use with the 12-volt cigarette lighter in your car.

## WARRANTY AND REPAIR INFORMATION

### **Warranty Repair**

**Dogtra Company** provides the original purchaser a two-year limited warranty on parts and labor from the date of the original purchase. The warranty does not cover failure resulting from damage, abuse or loss of parts. The warranty is void if the unit has been altered or an unauthorized person has attempted work.

Batteries or the labor to replace them are not covered under warranty after the first year.

A copy of the sales receipt showing purchase date is required before warranty work is begun.

Write a note briefly explaining the problem and include your name, address, city/state/zip code, daytime and evening phone numbers.

Return shipping for warranty is the owner's responsibility. Costs for shipping(via regular ground service) back to the customer is covered by Dogtra Co. within the continental United States. Any expedited shipping service will be at the owner's expense.

## REPAIR

---

Ship to :

1250 E. 223rd Street, Suite 119  
Carson, CA 90745

For any questions concerning your dogtra products  
call us Toll Free at 1-888-811-9111.

### **Out of Warranty Repair**

For repair work that is no longer covered by  
warranty, the cost of repair will include parts,  
labor and shipping. Write a note briefly  
explaining the problem. Include your name,  
address, city/state/zip code, daytime phone  
number and evening phone number.

Send equipment to:



1250 E. 223rd Street, Suite 119  
Carson, CA 90745  
Tel : (310) 522 - 1800  
Fax : (310) 522 - 1805  
Toll Free : 1-888-811-9111